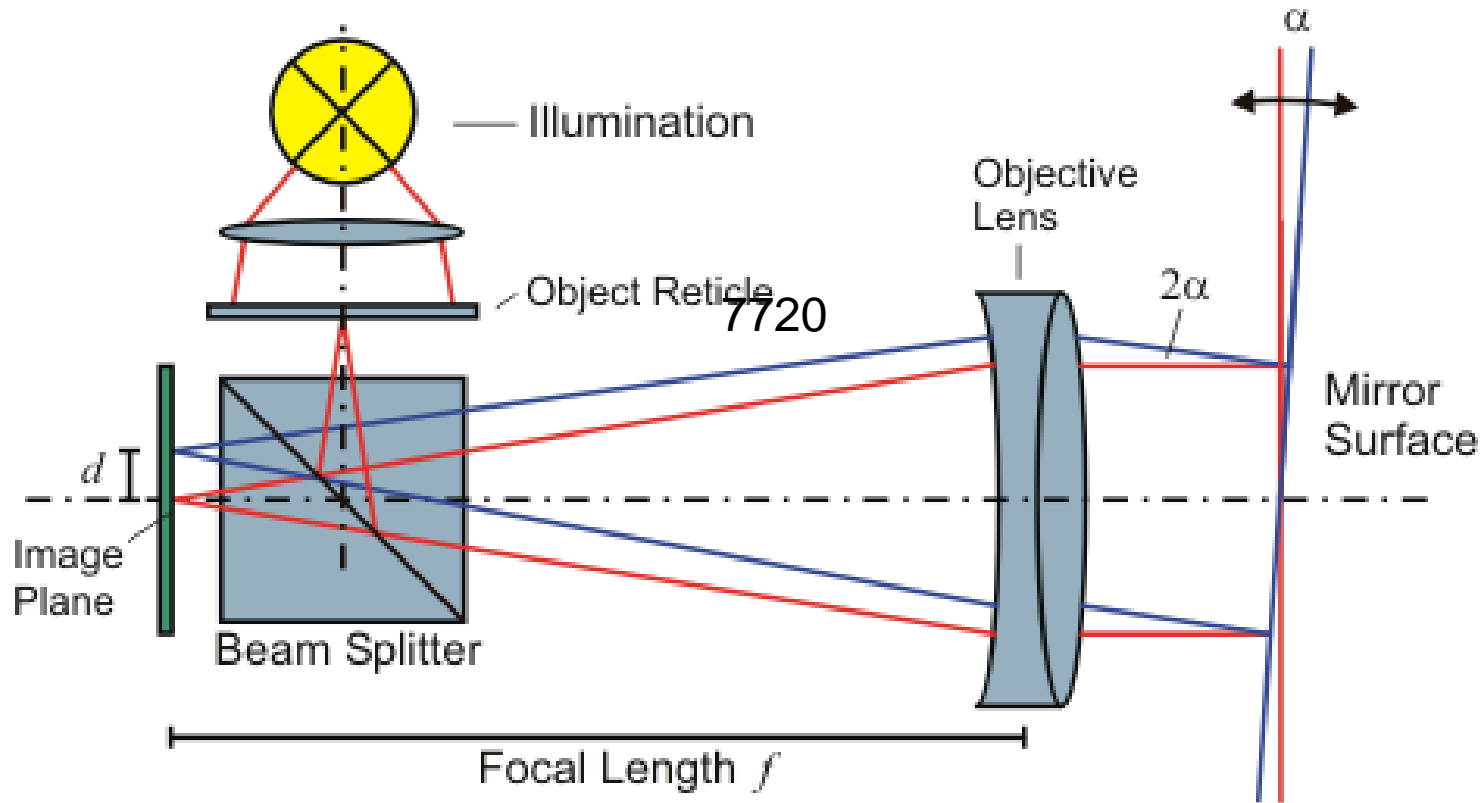


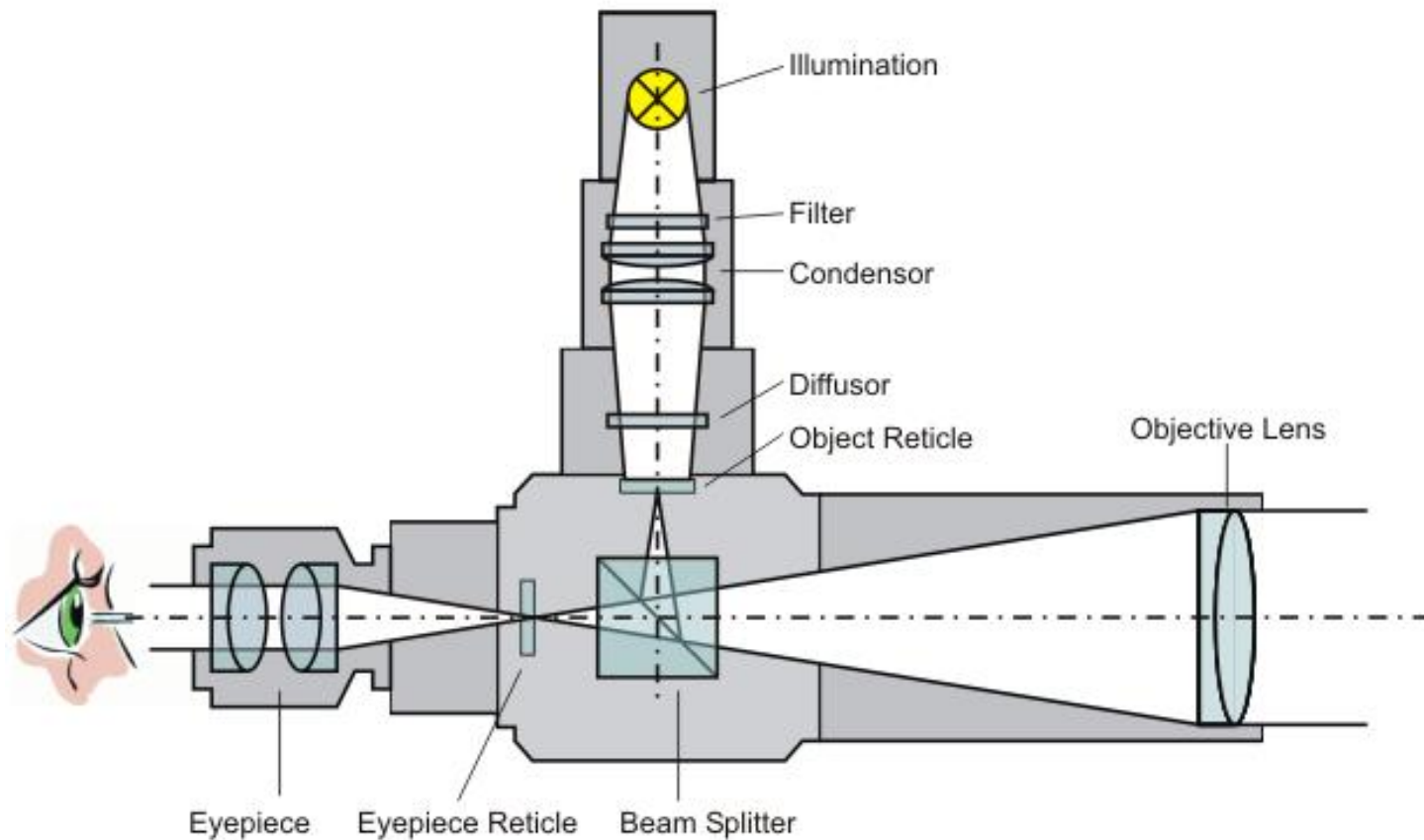


L'autocollimateur

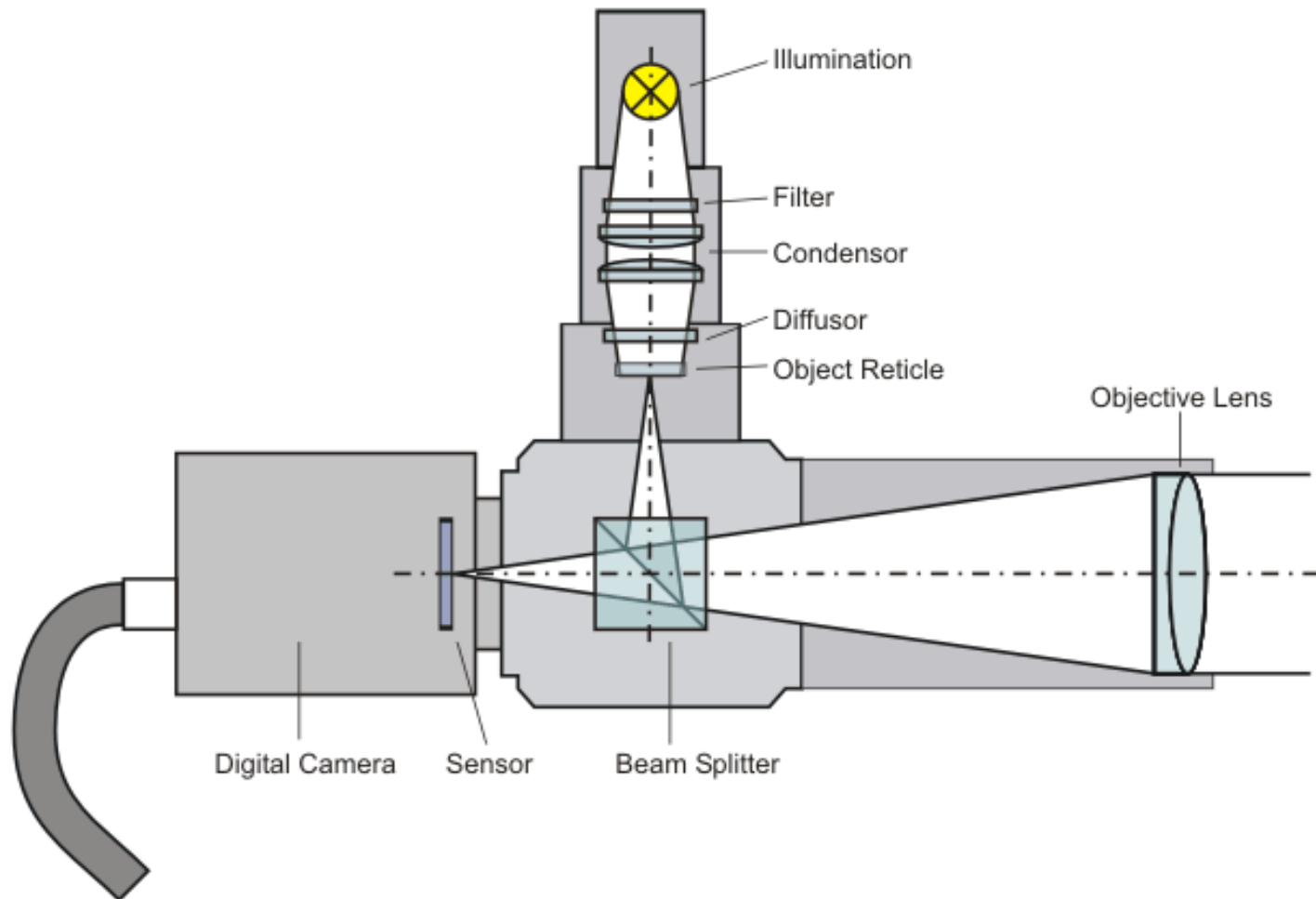
Principe de l'autocollimateur (ou autocollimatrice)



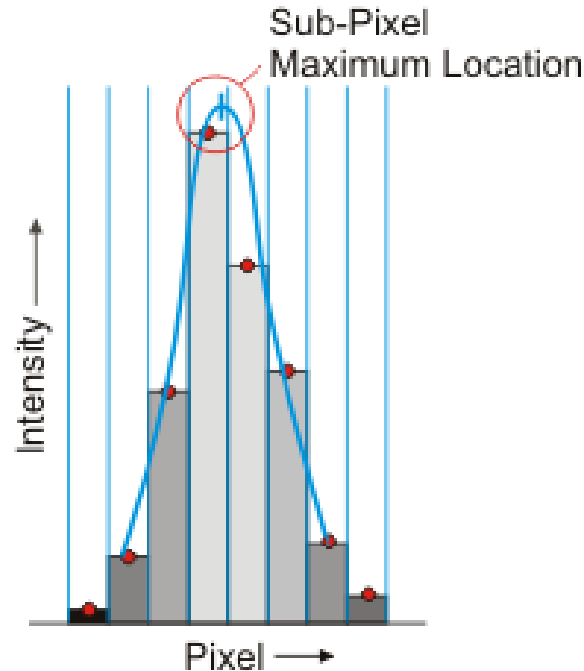
Autocollimateur classique



Autocollimateur électronique



Résolution sub-pixel par la mesure de niveaux de gris



- *The high resolution of electronic autocollimators is due to the evaluation of gray scale levels in the image which allows for sub pixel interpolation of the image position. Depending on the focal length of the objective lens and the stability of the setup, angular resolutions of 1/100 up to 1/1000 arcsec can be achieved.*